

# REBOTEC

## PHOENIX TILT

### Tilt-in-Place comfort shower chair



- Tilt in Place Comfort Shower Commode Chair
- Designed for optimal care and consideration of patient and care staff
- Tilt in place function
- Drop swing arms facilitates transfers
- Soft, adjustable, non-stick, quick drying support cushion, backrest, headrest and calf support
- Easy cleaning, compact storage
- Swing away arm and foot supports

#### MPN

Blue  
350.54.10

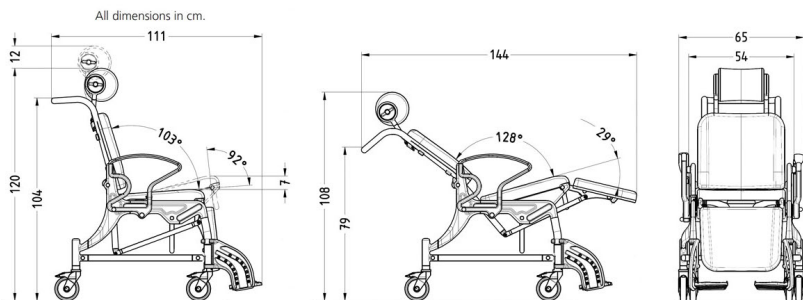
#### ACCESSORIES

Bucket Pail  
301.00

Safety Belt  
322.30.10

IV Pole  
303.62

Armrest Cushion  
440.10.32



CHAIR DEPTH AND WIDTH 111x65cm

SEAT DEPTH AND WIDTH 43x54cm

SEAT HEIGHT 58cm

NET WEIGHT 29.3kg

MAX BODY WEIGHT 150kg



Australian Government  
Department of Health  
Therapeutic Goods Administration

ARTG 297301

info@rebotec.com.au  
rebotec.com.au  
218/354 Eastern Valley Way  
Chatswood 2067 NSW

