



OVERBED TABLE



KT210



KT110

USER MANUAL



CareTek Medical
Unit 1/37 Discovery Drive, Bibra Lake, WA 6163
Tel: +61 8 9418 2111
Fax: +61 8 9418 2114
Email: sales@caretek.com.au

400mm x 190mm

5. Dimensions and Data

Model	KT210	KT110
Table Top Size	690mm x 400mm & 400mm x 190mm	880mm x 396mm
Table Top color	Beech	Beech
Column & Base Color	Grey/Beige	Grey/Beige
Base Cover material	ABS	ABS
Height (Range)	745mm to 1055mm	745mm to 1055mm
Castors (Size)	55mm diameter	55mm diameter
Product Weight	20kg	20kg
Safe working load	25kg evenly distributed	25kg evenly distributed
tilting top angles	24°, 31°, 37°, 42°, 48°	/

Contents

Introduction	2
Operation.....	4
Cleaning and Maintenance.....	6
Warranty and Service.....	7
Dimensions and Data.....	8

Warnings and Cautions

WARNINGS given in this manual identify possible hazards in conditions or procedures which, if not correctly followed, could result in death, injury or other serious adverse reactions.

Cautions given in this manual identify procedures or conditions which, if not correctly followed, could result in equipment failure or damage.

General Warnings

WARNINGS

Do not use an lean heavily or sit on the table. Do not exceed the safe working load.

1. Introduction

This manual gives instructions for the use and maintenance of Overbed tables with the Model Numbers listed in the table.

Model Numbers		
Model Numbers →	Overbed tables	
	Table tops ↓	
	KT210	KT110
Tilting top-raised edges	√	
Fixed top-raised edges		√

All table tops have an MDF core with vacuum laminating / membrane pressing thermoplastic sheet.

4. Warranty and Service

Standard terms and conditions apply to all sales. A copy is available on request. These contain full details of warranty terms and do not limit the statutory rights of the consumer.

For service, maintenance and any questions regarding this , please contact:

CareTek Medical
Unit 1/37 Discovery Drive
Bibra Lake, WA 6163
Tel: +61 8 9418 2111
Fax: +61 8 9418 2114
Email: sales@caretek.com.au
Or your local distributor

2. Operation

The tables are designed to be used with the column on the user's right.

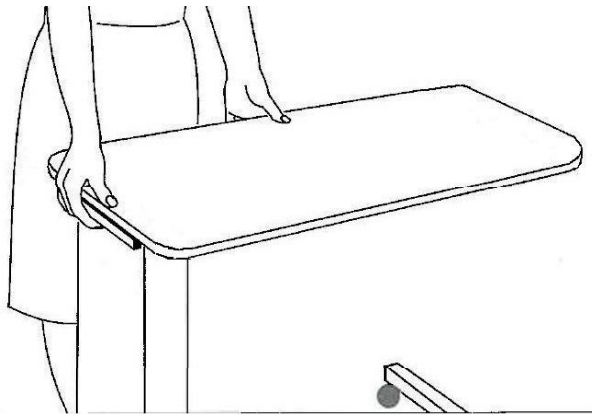
Height Adjustment

To raise:

Lift the table top to the required height. An automatic lock will prevent the table from descending when you let go.

To lower:

Support the top with one hand and lift the release lever which is at the top of the column. Push the top down to the required height and let go of the lever to lock.



Lowering the table top

Tilt Adjustment

Tilting top on MT210 is adjustable through a range of 0° to 48° .

Warning

When adjusting the angle of a two part table top, be careful not to trap fingers or other items between fixed and moving parts of the table top.

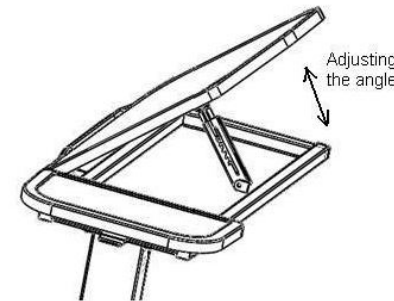
To adjust the angle:

To Lift:

Hold the far side of the table top and lift the table top to the required angle. An automatic lock will latch down the top to the nearest location angle.

To lower:

Hold the far side of the table top and lift the table top to the highest angle, then release and the table will return to the horizontal angle.



Adjusting the tilting table top

Caution

The castors are designed to operate on smooth floors only. DO not push, but lift the table over ridges or rough surfaces

3. Cleaning and Maintenance

Cleaning

All surfaces can be cleaned by wiping with a damp cloth using a solution of hot water and a mild detergent.

Do not use abrasive compounds or pads.

Maintenance

Castors

Every three months: Check that the castors rotate and swivel easily and remove any fluff or threads which may have been picked up.

Tilt Release

Every three months: Check that the spring lock mechanism release smoothly and latch down to every angle firmly.

Main Column

No regular maintenance is required.

If the height adjustment and locking mechanism does not work satisfactorily, contact your local agent.